

NOTICE TO BIDDERS

The Leavenworth County Clerk, Leavenworth, Kansas, 300 Walnut Street will receive seal proposals, until 10:00 a.m. local time on Wednesday, June 20, 2018, for contractual paving at the Leavenworth County Solid Waste Transfer Station. The proposals will be publicly opened and read aloud at the Leavenworth County Court House located at 300 Walnut Street, Leavenworth, Kansas 66048 at that time and place.

Proposals shall be submitted in a sealed envelope with the name of the bidder and “Bid for Paving at the Leavenworth County Solid Waste Transfer Station” clearly written on the envelope and address to the Leavenworth County Clerk, 300 Walnut, Leavenworth Kansas. Any Bids received after the closing time will be returned unopened.

Plans and Specifications for bidding can be picked up at the Public Works Office located at the Leavenworth Courthouse, 300 Walnut Street, Suite 007 Leavenworth, Kansas 66048 or they can be printed from the County’s website at www.leavenworthcounty.org. If there are any questions please contact Aaron Yoakam at 913-684-00790. A copy of the plans and specifications for the contract is on file at the office of the County Clerk of Leavenworth, Kansas, and is open for the public inspection.

The Governing Body, of the County of Leavenworth, Kansas, reserves the right to reject any or all bids, and to waive non-conformities.

Janet Klasinski, County Clerk
Courthouse, 300 Walnut
Leavenworth, Kansas 66048
(913) 684-0421

Leavenworth County Department of Public Works
300 Walnut Street, Suite 7
Leavenworth, KS 66048

David Lutgen, P.E. Director/County engineer

Aaron Yoakam, Buildings & Grounds

June 4, 2018

Paving at the Leavenworth County Solid Waste Transfer Station
Scope of Work

The Leavenworth County is requesting bids for 1,430+/- square yards of paving at the Leavenworth County Solid Waste Transfer Station at 24967 136th Street Lansing Kansas 66043.

Scope of Services

1. The contractor shall bid a Portland Cement Concrete surfacing. The contractor shall be responsible for removing the existing gravel base to a depth not to exceed 8-inches. Gravel shall be stockpiled onsite in a pre-designated area. Undisturbed earth shall be compacted to 95% Standard Proctor Test Density.

If the Standard Proctor Test fails the contractor shall remove an additional six (6) inches of base. The contractor shall place six (6) inches of Type "AA" material compacted to 95% Proctor Density.

Reinforcing steel ½-inch in diameter (#4 Bar) shall be placed each way on 24-inch centers. The reinforcing steel shall be placed on plastic chairs. Forming for concrete placement shall comply with the Kansas Department of Transportation concrete pavement forming specifications, latest edition. Portland Cement Concrete (PCC) shall be placed as a thickness of eight (8) inches over the site. The contractor shall make transverse and longitudinal saw cuts to a depth of 1-inch. Spacing and timing of the saw cuts shall comply with the Kansas Department of Transportation PCC paving specifications, latest edition. The saw cut shall be clean and dry just prior to placing the crack sealer. The saw cuts shall be filled with a bituminous material crack sealer within 24-hours of making the cut.

2. Concrete compressive strength requirements –

3 Day	4,000 psi
7 Day**	4,500 psi
28 Day	6,000 psi

Only required if 3 day break less than 4,000 psi

3. The contractor shall match the existing curb and gutter with his paving and he is to ensure the pavement slopes to the curb and away from buildings and scale.

4. The owner is aware of buried utilities on site but has not located them. The contractor shall be responsible for locating and protecting all buried utilities within his work zone. He is highly encouraged to use the Kansas One Call Utility Location Service prior to beginning his work.
 5. The contractor shall be required to maintain and carry in force for the duration of the contract, insurance coverage of the type and minimum liability limits as set forth below:
 - a. A claim made policy not less than \$1,000,000.00 per occurrence and as an annual aggregate.
 - b. The Contractor shall maintain the full limit of coverage as stated above for one year after substantial completion of any project resulting from this request for proposals.
 - c. The contractor shall provide the County certification of said Insurance coverages required herein prior to commencing work and shall cause the County to be named as a co-insured where appropriate and allowed by law.
 - d. Worker's Compensation Insurance as required by law.
 - e. Prior to the termination or modification of any insurance policy required herein, contractor shall notify the county of said changes not less than 30 days prior to the effective date of said changes.
 6. The Leavenworth County Solid Waste Transfer Station paving project documents are available at the Public Works Office, 300 Walnut, Suite 007, Leavenworth, Kansas. They can be printed from the County's website at www.leavenworthcounty.org.
 7. The contractor will be responsible for maintaining a clean safe work site and for the replacement of all disturbed surfaces with like materials.
 8. If the contractor chooses he will be given access to the site during weekends and holidays with prior agreement from the Solid Waste Operations Manager and authorization of the County Engineer.
 9. ~~The contractor shall submit a surety bond in the full amount of the bid price with bid. Said bond shall be issued by a firm licensed and authorized to issue such bonds in the State of Kansas and in a form acceptable to the County. A performance bond will need to be submitted by the successful bidder prior to receiving the Notice to Proceed.~~
- The Contractor to whom the work is awarded will be required to furnish a Maintenance Bond, a Performance Bond and a Statutory Bond in the form hereinafter stipulated in any amount equal to 100 percent of the amount of the contract to be awarded in each case. With each bond there shall be filed with the County one copy of "Power of Attorney" certified to include the date of the bonds.
10. The work is to be completed between 4:00 pm on August 23, 2018 and 8:00 am on September 4, 2018. Facility will reopen at 8:00 am on September 4, 2018.

11. The contractor shall be responsible for hiring an independent laboratory to test subgrade compaction and concrete compressive strength. The contractor will be responsible for submitting copies of the reports to the Deputy Director of Buildings and Grounds, 300 Walnut Street, Suite 007, Leavenworth, Kansas.
12. Invoicing: The Contractor shall invoice by the 15th of the month, for the services performed during the previous month. Submit invoice to the Leavenworth County Solid Waste Transfer Station, 300 Walnut Street, Leavenworth, Kansas 66048 to the attention of Tammy Saldivar.
13. Hold Harmless: The contractor agrees to protect, defend, indemnify and hold the County Commission, its officers, employees, and agents free and harmless from and against any and all losses, penalties, damages, settlements, costs, charges, professional fees or other expenses or liabilities of every kind and character arising out of or relating to any and all claims, liens, demands, obligations, actions, proceedings or causes of action of every kind and character in connection with or arising directly or indirectly out of the error, omission or negligent act of the contractor even if such claim is groundless, false or fraudulent.
14. The Board of County Commissioners reserves the right to cancel the project at any time prior to award of the contract.
15. Time of Performance: In the event the contractor fails to complete the project on time, and absent of any waiver by the county, the contractor shall be assessed and pay to the county delay damages in the amount of **\$1,000.00** per day of delayed performance. Delays due to weather shall be negotiated with the Deputy Director of Buildings and Grounds.
16. If your firm is interested in providing the above-described service for Leavenworth County, please submit your bid for completing the project to the Leavenworth County Clerk, 300 Walnut Street, Leavenworth Kansas 66048 by 10:00 a.m. June 20, 2018. Send your bids marked as "Paving at the Leavenworth County Solid Waste Transfer Station."

**Paving Services
Leavenworth County Solid Waste Transfer Station**

BID FORM

ITEM	UNIT	QUANTITY	UNIT PRICE	TOTAL COST
Concrete	SY	1,430		
Testing	LS	1		

TOTAL PROJECT _____

<i>ITEM</i>	<i>UNIT</i>	<i>QUANTITY</i>	<i>UNIT PRICE</i>	<i>TOTAL COST</i>
<i>*Sub-Grade Material</i>	<i>TON</i>	<i>1</i>		
<i>**7 Day Test</i>	<i>LS</i>	<i>1</i>		

**Item 1 of Scope of Services*

***Item 2 of Scope of Services*

TOTAL SUPPLEMENTS _____

Sealed bids must be received by:

June 20, 2018 at 10:00 a.m.

Please submit all sealed bids to:

Leavenworth County Clerk
Paving Services at Transfer Station Contract
300 Walnut, Suite 106
Leavenworth, KS 66048

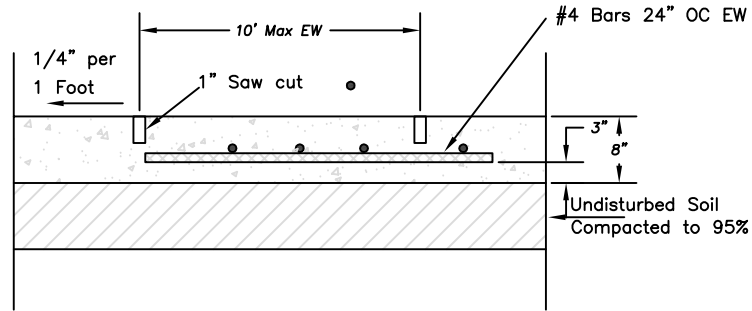
Company Name: _____

Name (Printed): _____

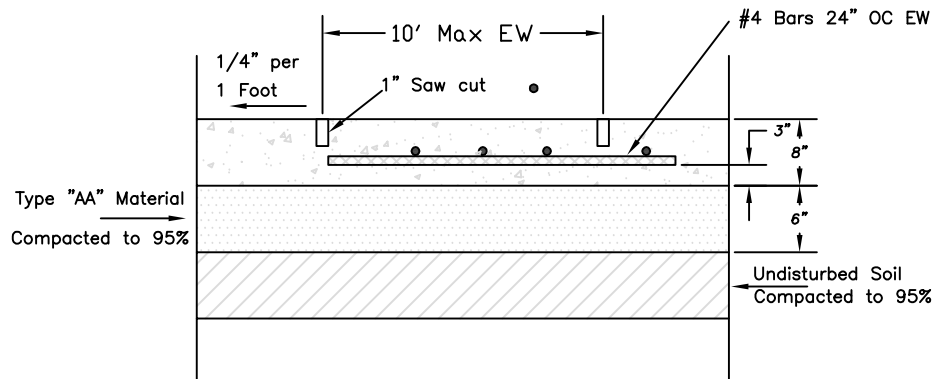
Date: _____

GENERAL NOTES:

- CONTRACTOR IS TO MATCH CURB LINE AND EXISTING PAVEMENT WITH NEW SURFACING



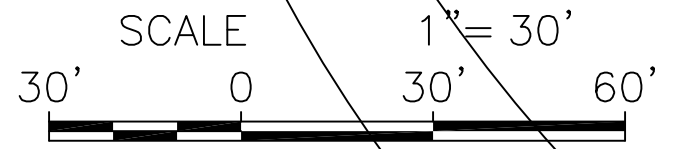
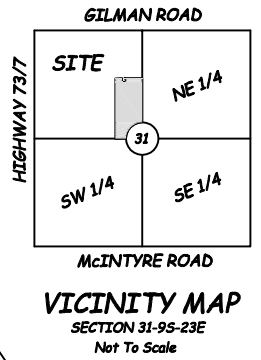
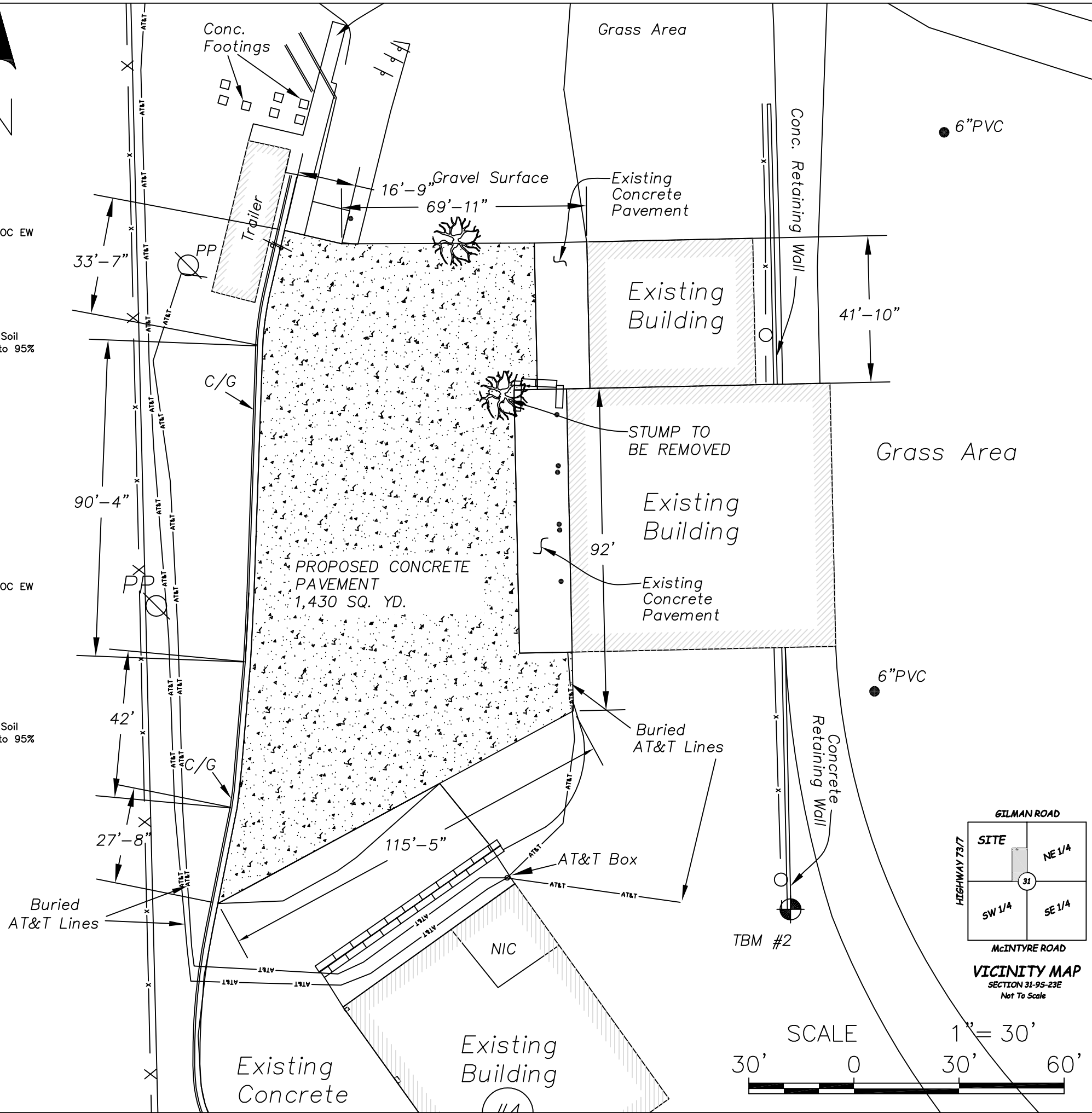
CONCRETE SECTION
Not to Scale



CONCRETE SECTION WITH 6" COMPACTION
Not to Scale

LEGEND

POWER POLE	Φ PP	GUARD POST	• GRD
LIGHT POLES	⊗ LP	Set 1/2" Iron Bar W/Cap KS LS 1326	•
ELECTRIC PEDESTAL	□ Elec. Ped.	unless noted otherwise	
TELEPHONE PEDESTAL	□ Tel. Ped.	Found Property Corner Monumentation as Noted	○
ANCHOR	⌋	Found Section Corner Monumentation as Noted	⊗
ELECTRIC METER	○ EM	MANHOLE (SAN., STORM, TEL.)	⊕
WATER METER	○ WM	TREE (DIA.)	⊗
GAS METER	○ GM	TREE LINE	⌋
GAS VALVE	⊗ GV	FENCE	— x —
WATER VALVE	⊗ WV	OVERHEAD POWER LINE	— OHP —
FIRE HYDRANT	⊗ FH	GATE POST	• GP
BENCHMARK	⊕		
CONTROL POINT	△		



**Paving at the Leavenworth County
Solid Waste Transfer Station
136th & Gillman Road**

CALL BEFORE YOU
 DIG - DRILL - BLAST
 800-344-7233
 (DIG-SAFE)
 (316) 687-3753
 (FAX)

KANSAS ONE-CALL
 SYSTEMS, INC.
 KANSAS ONE CALL SYSTEM, INC.